



Suministros Narváez S L



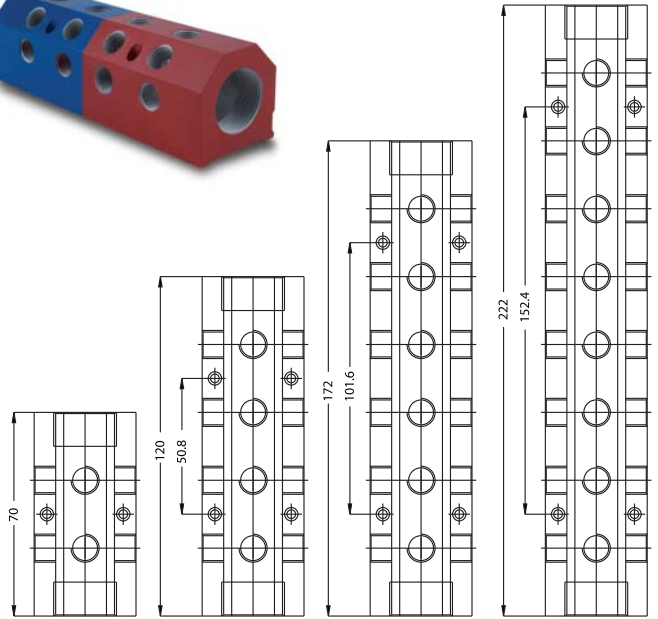
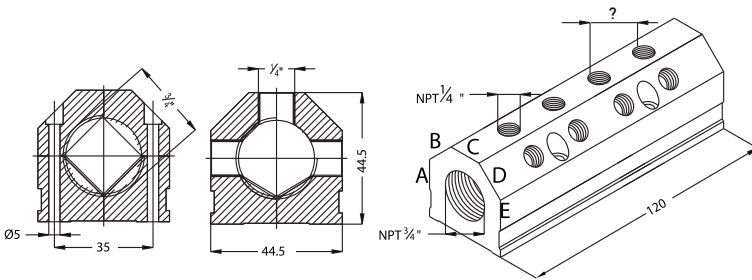
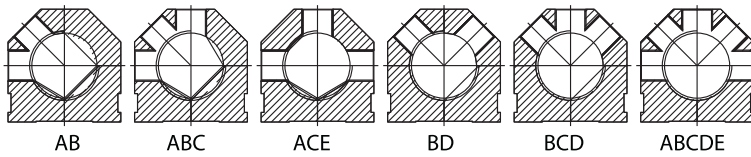
**REFRIGERACIÓN**

**SERIE 117AK**



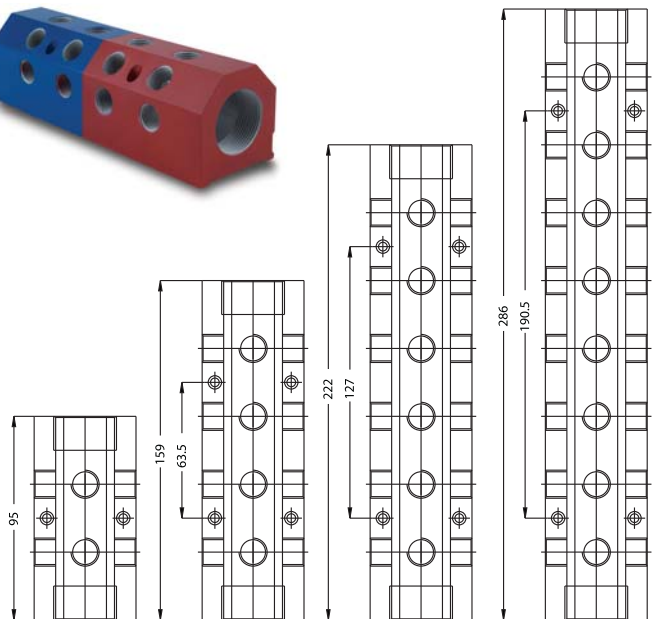
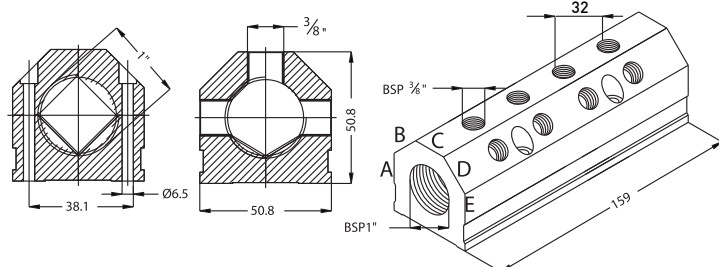
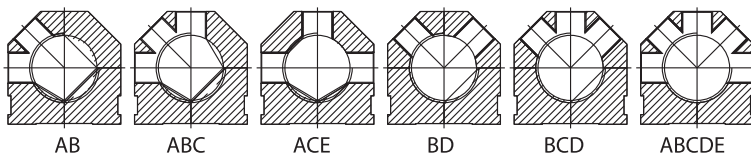
**3/4"**

**EXAMPLE CODE** 117AK -04- BCD N13 / 26 120 B  
 Holes of one surface / Surfaces that the holes are existing  
 Existing 1/4" Port 3/4" Total Length Blue



**1"**

**EXAMPLE CODE** 117AK -04- BCD N17 / 33 159 B  
 Holes of one surface / Surfaces that the holes are existing  
 Existing 3/8" Port 1" Total Length Blue





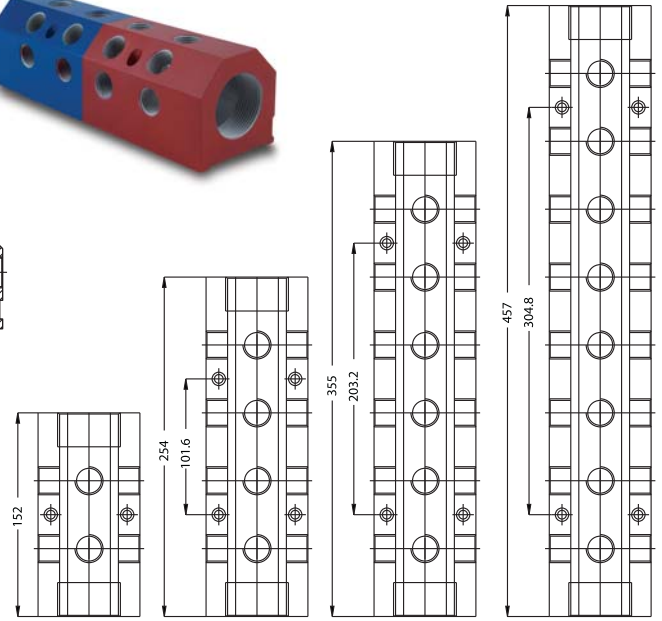
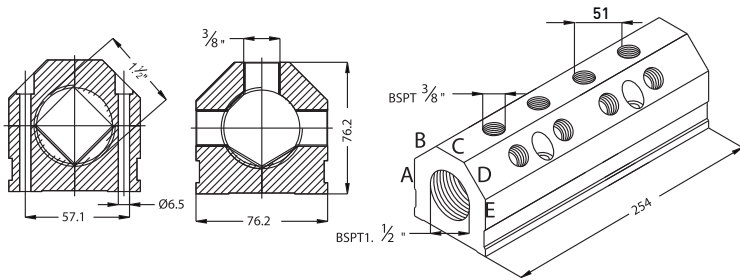
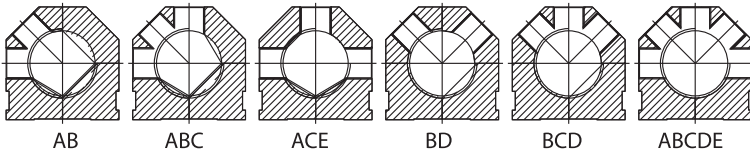
SERIE 117AK

COUPLINGS, MULTICOUPLINGS & MOULD COOLING PRODUCTS

KUPPLUNGEN, MULTIKUPPLUNGEN & KÜHLUNGSELEMENTE FÜR WERKZEUGE

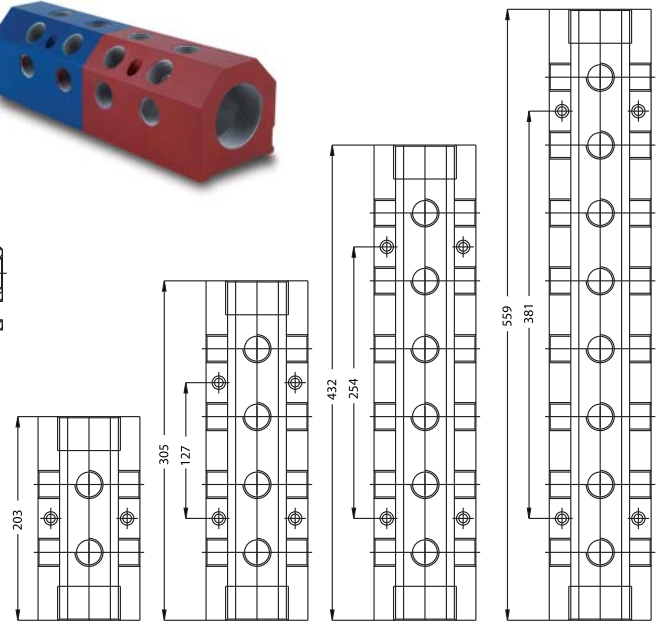
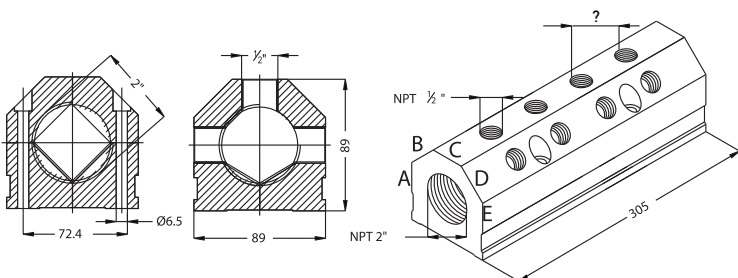
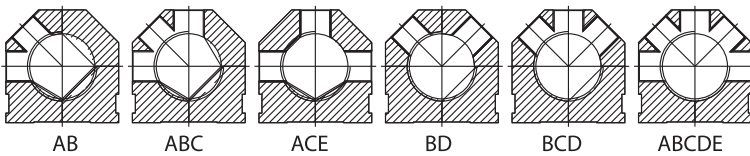
1.1/2"

**EXAMPLE CODE** 117AK -04- BCD N17/ 48 254 B  
 Holes of one surface  
 Surfaces that the holes are existing  
 Existing 3/8"  
 Port 1.1/2"  
 Total Length Blue



2"

**EXAMPLE CODE** 117AK -04- BCD N21/ 60 305 B  
 Holes of one surface  
 Surfaces that the holes are existing  
 Existing 1/2"  
 Port 2"  
 Total Length Blue





SERIE 100 ■

• TST 100.08B



With Valve / mit Ventil



Now  
9 Balls  
9 Kugeln

• TST 100.12B



With Valve / mit Ventil



Please add  
B - for Blue  
R - for Red at the end of the order  
number for identification of the right colour.

Bitte fügen Sie  
B - für Blau  
R - für Rot hinzu

# SERIE 6,9,16



SERIE 059,060,090,190 ■





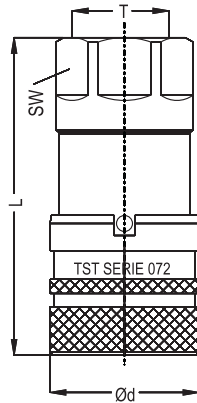
SERIE 072 ■



ISO 16028

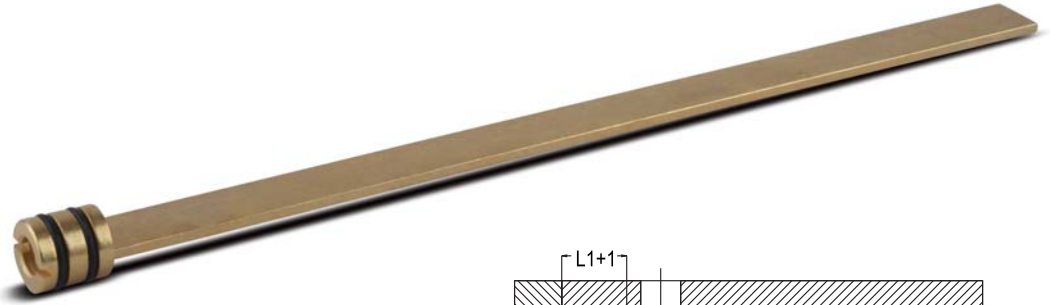
Coupler  
Kupplung

Body Size Nennweite Ø	Connection Anschlüsse T	Order No Bestellnr.	SW	L Lenght Länge	Ød Dia.
<b>1/4"</b> 6mm	BSP 1/4"	072.06 DGB 13	27	53	28
	NPT 1/4"	072.06 NGB 13	27	53	28
	UNF 9/16"-18	072.06 UGB 14	27	56	28
<b>3/8"</b> 10mm	BSP 3/8"	072.10 DGB 17	27	62	30.5
	BSP 1/2"	072.10 DGB 21	27	71	30.5
	NPT 3/8"	072.10 NGB 17	27	62	30.5
	NPT 1/2"	072.10 NGB 21	27	71	30.5
	UNF 9/16"-18	072.10 UGB 14	27	62	30.5
	UNF 3/4"-16	072.10 UGB 19	27	71	30.5
<b>1/2"</b> 12mm	BSP 1/2"	072.12 DGB 21	35	83	39
	NPT 1/2"	072.12 NGB 21	35	83	39
	UNF 7/8"-14	072.12 UGB 22	35	83	39
	BSP 3/4"	072.12 DGB 26	35	83	39
	NPT 3/4"	072.12 NGB 26	35	83	39
	UNF 1.1/16"-12	072.12 UGB 27	35	83	39
<b>5/8"</b> 16mm	BSP 3/4"	072.16 DGB 26	36	86	42
	NPT 3/4"	072.16 NGB 26	36	86	42
	UNF 1.1/16"-12	072.16 UGB 27	36	86	42
<b>3/4"</b> 19mm	BSP 1"	072.19 DGB 33	41	97	48
	NPT 1"	072.19 NGB 33	41	97	48
	UNF 1.5/16"-12	072.19 UGB 33	41	97	48
<b>1"</b> 25mm	BSP 1.1/4"	072.25 DGB 42	55	106	55
	NPT 1.1/4"	072.25 NGB 42	55	106	55
	UNF 1.5/8"-12	072.25 UGB 41	55	106	55
<b>1.1/2"</b> 33mm	BSP 1.1/2"	072.37 DGB 48	65	132	83
	NPT 1.1/2"	072.37 NGB 48	65	132	83
	UNF 1.7/8"-12	072.37 UGB 48	65	132	83

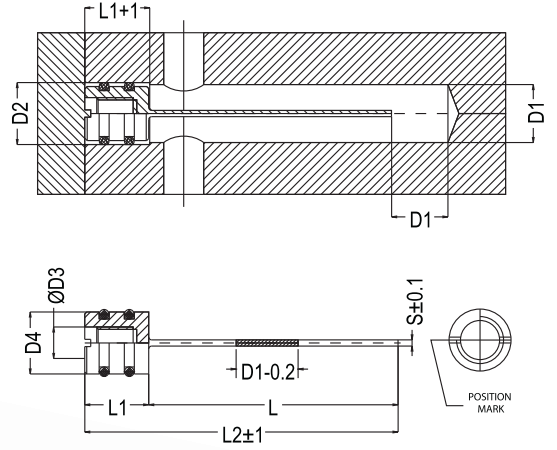


Female Threaded Coupler  
Kupplung mit Innengewinde

Material : MS58 Brass - Messing O-  
 Ring : Viton  
 Max. Temp :1800C

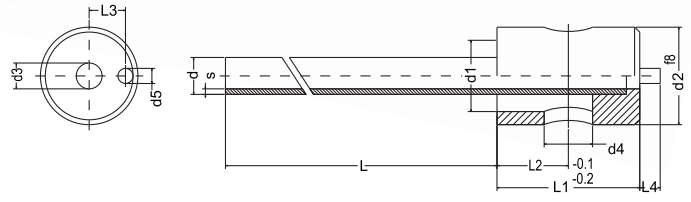


Order No / Bestellnr.	D <sub>1</sub>	D <sub>2</sub>	D <sub>3</sub>	D <sub>4</sub>	L	L <sub>1</sub>	L <sub>2</sub> S
LKS 10 x 180	10	12	M6	11.7	180	13	1932
LKS 15 x 250	15	16	M8	15.7	250	16	2662
LKS 20 x 300	20	22	M12	21.7	300	20	3202
LKS 25 x 390	25	26	M16	25.7	390	22	4122



**Interchangeability - Austauschbar mit HASCO Z/965**

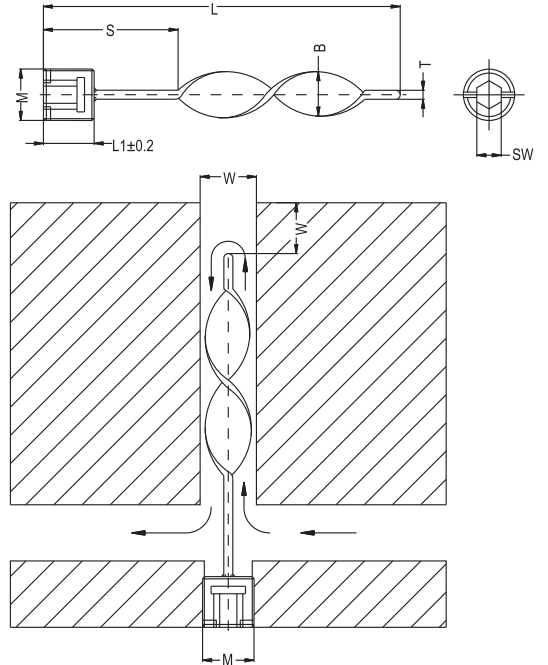
Material : MS58 Brass - Messing  
 Max. Temp. : 1350C



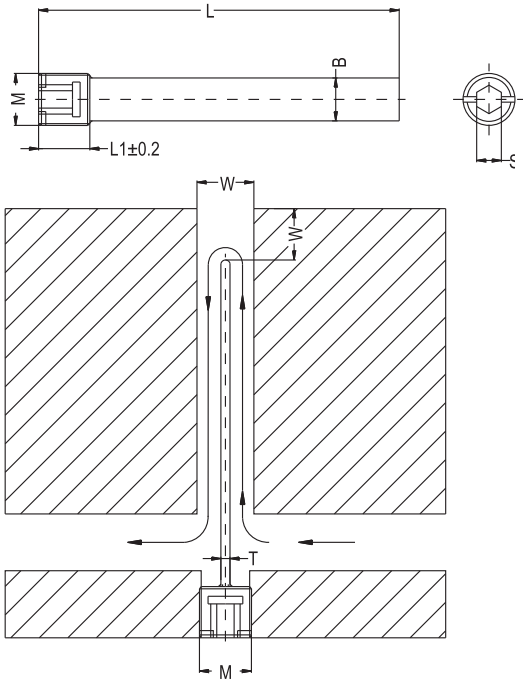
Order No / Bestellnr.	L	L <sub>1</sub>	L <sub>2</sub>	L <sub>3</sub>	L <sub>4</sub>	d	d <sub>1</sub>	d <sub>2</sub>	d <sub>3</sub>	d <sub>4</sub>	d <sub>5</sub>	S
BKS 10/2.6x0.3x100 100	100	16	9	3.5	2.5	2.6	4	10	2	4	2	0.3
BKS 10/2.6x0.3x200 200	200	16	9	3.5	2.5	2.6	4	10	2	4	2	0.3
BKS 10/3x0.3x100 100	100	16	9	3.5	2.5	3	5	10	2.4	4	2	0.3
BKS 10/3x0.3x200 200	200	16	9	3.5	2.5	3	5	10	2.4	4	2	0.3
BKS 10/4x0.5x100 100	100	16	9	3.5	2.5	4	6	10	3	4	2	0.5
BKS 10/4x0.5x200 200	200	16	9	3.5	2.5	4	6	10	3	4	2	0.5
BKS 12/5x0.5x160 160	160	18	9	4.5	2.5	5	8	12	4	6	2	0.5
BKS 12/5x0.5x315 315	315	18	9	4.5	2.5	5	8	12	4	6	2	0.5
BKS 16/6x0.5x160 160	160	18	9	6	2.5	6	12	16	5	6	2	0.5
BKS 16/6x0.5x315 315	315	18	9	6	2.5	6	12	16	5	6	2	0.5
BKS 18/8x1x160 160	160	18	9	7	2.5	8	14	18	6	6	2	1
BKS 18/8x1x315 315	315	18	9	7	2.5	8	14	18	6	6	2	1
BKS 20/10x1x160	160	20	10	8	2.5	10	16	20	8	8	2	1
BKS 20/10x1x315	315	20	10	8	2.5	10	16	20	8	8	2	1
BKS 25/12x1x160	160	25	13	9.5	3	12	20	25	10	10	2	1
BKS 25/12x1x315	315	25	13	9.5	3	12	20	25	10	10	2	1



Material: MS58 Brass - Messing



BSPT Thread - Gewinde Order No / Bestellnr ( Conical )	BSP Thread - Gewinde Order No / Bestellnr ( Cylindrical )	NPT Thread - Gewinde Order No / Bestellnr	ØD	S	SW	W	B	L	L <sub>1</sub>	T Blade Thickness
BSP.100.08	GSP.100.08	NSP.100.08	1/16"	51	4	6.5	1/4"	101	8	1,61/16"
BSP.200.08	GSP.200.08	NSP.200.08	1/16"	102	4	6.5	1/4"	203	8	1,61/16"
BSP.100.10	GSP.100.10	NSP.100.10	1/8"	51	5	8.5	5/16"	101	8	1,61/16"
BSP.200.10	GSP.200.10	NSP.200.10	1/8"	102	5	8.5	5/16"	203	8	1,61/16"
BSP.125.13	GSP.125.13	NSP.125.13	1/4"	51	7	11.5	7/16"	127	10	2,43/32"
BSP.250.13	GSP.250.13	NSP.250.13	1/4"	102	7	11.5	7/16"	254	10	2,43/32"
BSP.150.17	GSP.150.17	NSP.150.17	3/8"	51	8	15	9/16"	152	10	2,43/32"
BSP.300.17	GSP.300.17	NSP.300.17	3/8"	102	8	15	9/16"	305	10	2,43/32"
BSP.200.21	GSP.200.21	NSP.200.21	1/2"	76	10	18.5	11/16"	203	10	2,43/32"
BSP.400.21	GSP.400.21	NSP.400.21	1/2"	127	10	18.5	11/16"	406	10	2,43/32"
BSP.300.26	GSP.300.26	NSP.300.26	3/4"	102	12	23.5	15/16"	305	12	3,21/8"
BSP.500.26	GSP.500.26	NSP.500.26	3/4"	153	12	23.5	15/16"	508	12	3,21/8"
BSP.400.33	GSP.400.33	NSP.400.33	1"	127	12	28.5	1 1/16"	406	12	3,21/8"
BSP.600.33	GSP.600.33	NSP.600.33	1"	203	12	28.5	1 1/16"	610	12	3,21/8"

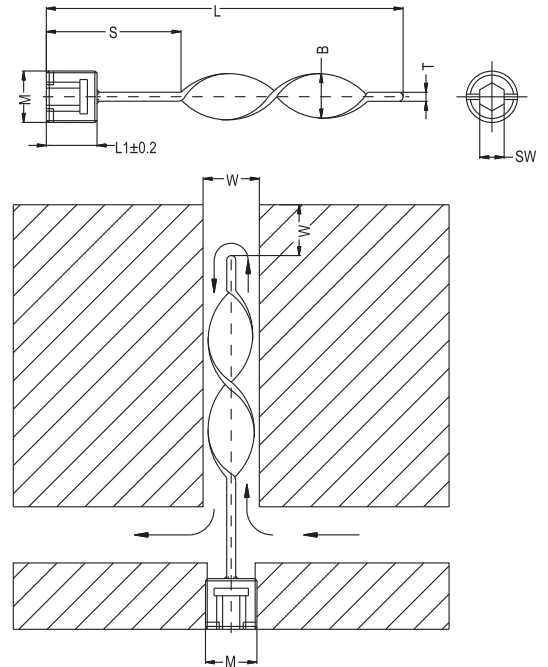


Material: MS58 Brass - Messing



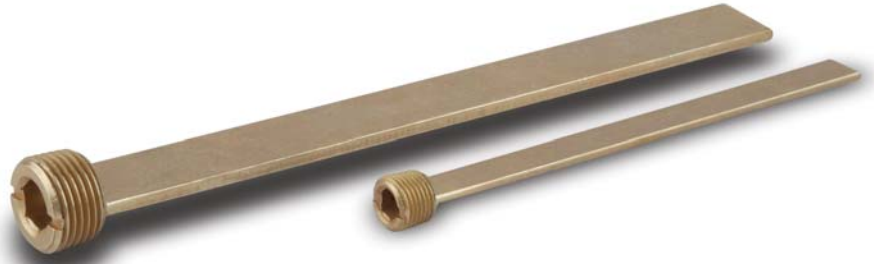
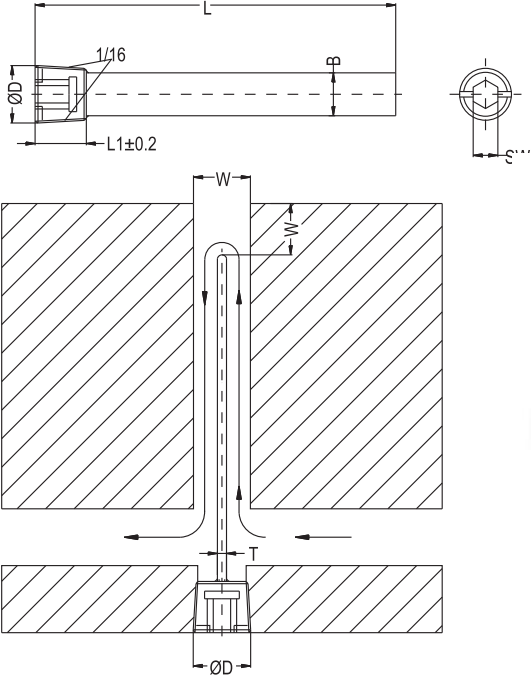
Metric Thread - Metrisch Gewinde Order No / Bestellnr ( Conical )	Metric Thread - Metrisch Gewinde Order No / Bestellnr ( Cylindrical )	Conical Konisch M	SW	W	B	L	L <sub>1</sub>	T Blade Thickness
MDPK.100.08	MDP.200.08	8x0.75	4	6	5.8	100	8	1.6
MDPK.200.08	MDP.300.08	8x0.75	4	6	5.8	200	8	1.6
MDPK.100.10	MDP.100.10	10x1.0	5	8	7.8	100	8	1.6
MDPK.125.10	MDP.125.10	10x1.5	5	8	7.8	125	8	1.6
MDPK.200.10	MDP.200.10	10x1.0	5	8	7.8	200	8	1.6
MDPK.300.10	MDP.250.10	10x1.0	5	8	7.8	300	8	1.6
MDPK.125.12	MDP.125.12	12x1.5	6	10	9.8	125	8	2.0
MDPK.250.12	MDP.250.12	12x1.5	6	10	9.8	250	8	2.0
MDPK.150.16	MDP.150.16	16x1.5	8	14	13.8	150	10	2.4
MDPK.300.16	MDP.300.16	16x1.5	8	14	13.8	300	10	2.4
MDPK.150.20	MDP.150.20	20x1.5	10	18	17.8	200	10	2.4
MDPK.300.20	MDP.300.20	20x1.5	10	18	17.8	400	10	2.4
MDPK.200.22	MDP.200.20	20x1.5	10	18	17.8	200	10	2.4
MDPK.300.22	MDP.405.20	20x1.5	10	18	17.8	400	10	2.4
MDPK.150.24	MDP.150.24	24x2.0	10	20	19.8	150	12	2.4
MDPK.300.24	MDP.300.24	24x2.0	10	20	19.8	300	12	2.4

Material: MS58 Brass - Messing



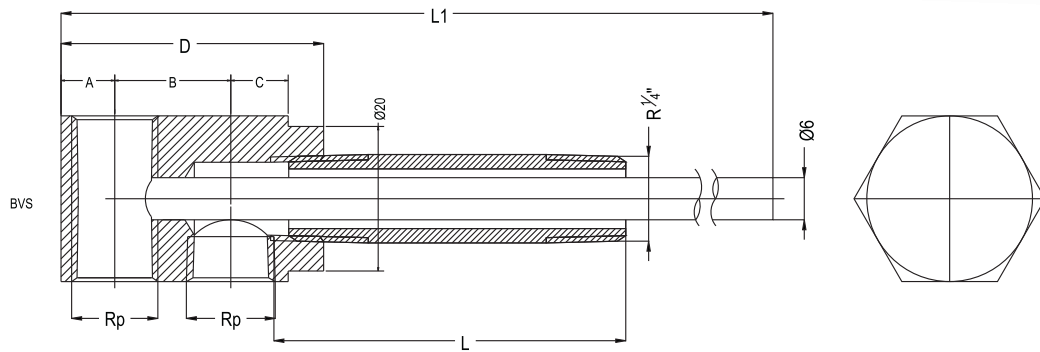
Metric Thread - Metrisches - Gewinde Order No / Bestellnr ( Conical )	Metric Thread - Metrisches Gewinde Order No / Bestellnr ( Cylindrical )	Conical Konisch M	S	SW	W	B	L	L <sub>1</sub>	T Blade Thickness
MSPK.100.08	MSP.100.08	8x0.75	50	4	6	5.8	100	8	1.6
MSPK.200.08	MSP.200.08	8x0.75	100	4	6	5.8	200	8	1.6
MSPK.300.08	MSP.300.08	8x0.75	150	4	6	5.8	300	8	1.6
MSPK.100.10	MSP.100.10	10x1.0	50	5	8	7.8	100	8	1.6
MSPK.100.10x1.5	MSP.100.10x1.5	10x1.5	50	5	8	7.8	100	8	1.6
MSPK.200.10	MSP.200.10	10x1.0	100	5	8	7.8	200	8	1.6
MSPK.300.10	MSP.300.10	10x1.0	150	5	8	7.8	300	8	1.6
MSPK.125.12	MSP.125.12	12x1.5	50	6	10	9.8	125	8	2.0
MSPK.125.12x1.75	MSP.125.12x1.75	12x1.75	50	6	10	9.8	125	8	2.0
MSPK.250.12	MSP.250.12	12x1.5	100	6	10	9.8	250	8	2.0
MSPK.150.16	MSP.150.16	16x1.5	50	8	14	13.8	150	10	2.4
MSPK.300.16	MSP.300.16	16x1.5	100	8	14	13.8	300	10	2.4
MSPK.150.20	MSP.150.20	20x1.5	50	10	18	17.8	150	10	2.4
MSPK.300.20	MSP.300.20	20x1.5	100	10	18	17.8	300	10	2.4
MSPK.150.24	MSP.150.24	24x2.0	50	12	20	19.8	150	10	2.5
MSPK.300.24	MSP.300.24	24x2.0	100	12	20	19.8	300	10	2.5

Material: MS58 Brass - Messing



BSPT Thread - Gewinde Order No / Bestellnr ( Conical )	BSP Thread - Gewinde Order No / Bestellnr ( Cylindrical )	NPT Thread - Gewinde Order No / Bestellnr	ØD	SW	W	B	L	L <sub>1</sub>	T Blade Thickness
BDP.100.08	GDP.100.08	NDP.100.08	1/16"	4	6.5	6.2	104	8	1,61/16"
BDP.200.08	GDP.200.08	NDP.200.08	1/16"	4	6.5	6.2	204	8	1,61/16"
BDP.100.10	GDP.100.10	NDP.100.10	1/8"	5	8.5	8.2	104	8	1,61/16"
BDP.200.10	GDP.200.10	NDP.200.10	1/8"	5	8.5	8.2	204	8	1,61/16"
BDP.125.13	GDP.125.13	NDP.125.13	1/4"	7	11.5	11.2	131	10	2,43/32"
BDP.250.13	GDP.250.13	NDP.250.13	1/4"	7	11.5	11.2	258	10	2,43/32"
BDP.150.17	GDP.150.17	NDP.150.17	3/8"	8	15	14.2	156	10	2,43/32"
BDP.300.17	GDP.300.17	NDP.300.17	3/8"	8	15	14.2	309	10	2,43/32"
BDP.200.21	GDP.200.21	NDP.200.21	1/2"	10	18.5	18.2	207	10	2,43/32"
BDP.400.21	GDP.400.21	NDP.400.21	1/2"	10	18.5	18.2	410	10	2,43/32"
BDP.300.26	GDP.300.26	NDP.300.26	3/4"	12	23.5	23.2	309	12	3,21/8"
BDP.500.26	GDP.500.26	NDP.500.26	3/4"	12	23.5	23.2	512	12	3,21/8"
BDP.400.33	GDP.400.33	NDP.400.33	1"	12	28.5	28.2	410	12	3,21/8"
BDP.600.33	GDP.600.33	NDP.600.33	1"	12	28.5	28.2	614	12	3,21/8"

Material: MS58 Brass - Messing



Order No / Bestellnr	Rp	A	D	B	C	LI	L	Order No / Bestellnr	Rp	A	D	B	C	LI	L
BVS 10x50	1/8"	9	19	9	42	356	50	BLS 10x50	1/8"	9	26	12	54	362	50
BVS 10x100	1/8"	9	19	9	42	356	100	BLS 10x100	1/8"	9	26	12	54	362	100
BVS 10x150	1/8"	9	19	9	42	356	150	BLS 10x150	1/8"	9	26	12	54	362	150
BVS 10x200	1/8"	9	19	9	42	356	200	BLS 10x200	1/8"	9	26	12	54	362	200
BVS 13x50	1/4"	9	19	9	42	356	50	BLS 13x50	1/4"	9	26	12	54	362	50
BVS 13x100	1/4"	9	19	9	42	356	100	BLS 13x100	1/4"	9	26	12	54	362	100
BVS 13x150	1/4"	9	19	9	42	356	150	BLS 13x150	1/4"	9	26	12	54	362	150
BVS 13x200	1/4"	9	19	9	42	356	200	BLS 13x200	1/4"	9	26	12	54	362	200



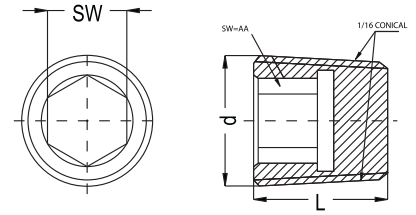
**BRASS / MESSING**



**STAINLESS STEEL / EDELSTAHL**



**STEEL / STAHL**



**BSPT Pressure Plugs (1/16" Conical thread) - Verschlußstopfen mit BSPT - Gewinde (1/16" konisch)**

Material :MS58 (Brass) - Messing (DIN 906)

Order No Bestellnr.	d	L	SW
KTR 10	BSPT 1/8"	8	5
KTR 13	BSPT 1/4"	10	7
KTR 17	BSPT 3/8"	10	8
KTR 21	BSPT 1/2"	10	10
KTR 26	BSPT 3/4"	12	12
KTR 33	BSPT 1"	19	17
KTR 42	BSPT 1 1/4"	22	22
KTR 48	BSPT 1 1/2"	22	24

Material :Steel - Stahl (DIN 906)

Order No Bestellnr.	d	L	SW
KTR 10.C	BSPT 1/8"	8	5
KTR 13.C	BSPT 1/4"	10	6
KTR 17.C	BSPT 3/8"	11	8
KTR 21.C	BSPT 1/2"	13	10
KTR 26.C	BSPT 3/4"	17	12
KTR 33.C	BSPT 1"	19	17
KTR 42.C	BSPT 1 1/4"	22	22
KTR 48.C	BSPT 1 1/2"	22	24

Material :Stainless steel (AISI 316L)-Edelstahl (DIN 906)

Order No Bestellnr.	d	L	SW
KTR 10.S	BSPT 1/8"	8	5
KTR 13.S	BSPT 1/4"	10	6
KTR 17.S	BSPT 3/8"	11	8
KTR 21.S	BSPT 1/2"	13	10
KTR 26.S	BSPT 3/4"	17	12
KTR 33.S	BSPT 1"	19	17
KTR 42.S	BSPT 1 1/4"	22	22
KTR 48.S	BSPT 1 1/2"	22	24

**NPT Pressure Plugs (1/16" Conical thread) - Verschlußstopfen mit NPT - Gewinde (1/16" konisch)**

Material :MS58 (Brass) - Messing (DIN 906)

Order No Bestellnr.	d	L	SW
KTN 10	NPT 1/8"	8	5
KTN 13	NPT 1/4"	10	6
KTN 17	NPT 3/8"	11	8
KTN 21	NPT 1/2"	13	10
KTN 26	NPT 3/4"	17	12
KTN 33	NPT 1"	19	17
KTN 42	NPT 1 1/4"	22	22
KTN 48	NPT 1 1/2"	22	24

Material :Steel - Stahl (DIN 906)

Order No Bestellnr.	d	L	SW
KTN 10.C	NPT 1/8"	8	5
KTN 13.C	NPT 1/4"	10	6
KTN 17.C	NPT 3/8"	11	8
KTN 21.C	NPT 1/2"	13	10
KTN 26.C	NPT 3/4"	17	12
KTN 33.C	NPT 1"	19	17
KTN 42.C	NPT 1 1/4"	22	22
KTN 48.C	NPT 1 1/2"	22	24

Material :Stainless steel (AISI 316L)-Edelstahl (DIN 906)

Order No Bestellnr.	d	L	SW
KTN 10.S	NPT 1/8"	8	5
KTN 13.S	NPT 1/4"	10	6
KTN 17.S	NPT 3/8"	11	8
KTN 21.S	NPT 1/2"	13	10
KTN 26.S	NPT 3/4"	17	12
KTN 33.S	NPT 1"	19	17
KTN 42.S	NPT 1 1/4"	22	22
KTN 48.S	NPT 1 1/2"	22	24

**Metric Pressure Plugs (1/16" Conical thread) - Verschlußstopfen mit Gewinde (1/16" metrisch)**

Material :MS58 (Brass) - Messing (DIN 906)

Order No Bestellnr.	d	L	SW
KTM 8	M8x0,75	8	4
KTM 10	M10x1	8	5
KTM 12	M12x1.5	10	6
KTM 14	M14x1.5	10	7
KTM 16	M16x1.5	10	8
KTM 24	M24x1.5	10	12

Material :Steel - Stahl (DIN 906)

Order No Bestellnr.	d	L	SW
KTM 8.C	M8x0,75	8	4
KTM 10.C	M10x1	8	5
KTM 12.C	M12x1.5	10	6
KTM 14.C	M14x1.5	10	7
KTM 16.C	M16x1.5	10	8
KTM 24.C	M24x1.5	10	12

Material :Stainless steel (AISI 316L)-Edelstahl (DIN 906)

Order No Bestellnr.	d	L	SW
KTM 8.S	M8x0,75	8	4
KTM 10.S	M10x1	8	5
KTM 12.S	M12x1.5	10	6
KTM 14.S	M14x1.5	10	7
KTM 16.S	M16x1.5	10	8
KTM 24.S	M24x1.5	10	12



RANGO TEMPERATURA -20 A +90°

Order No / Bestellnr.	Internal Dia. Schlauch ID		Outside Dia Schlauch AD mm	Max. Working Pressure at Max. Betriebsdruck ( 20°C ) Bar	Bursting Pressure at Berstdruck ( 20°C ) Bar	Length Länge m.	Weight Gewicht kg / m	Min. bend radius Min. Biegeradius mm	Color Farbe
	mm	Inch.							
PLOK - 06B	6.3	1/4"	14	20	60	20	0.17	110	Blue Blau
PLOK - 06R	6.3	1/4"	14	20	60	20	0.17	110	Red Rot
PLOK - 10B	9.5	3/8"	15.4	20	60	20	0.18	130	Blue Blau
PLOK - 10R	9.5	3/8"	15.4	20	60	20	0.18	130	Red Rot
PLOK - 12B	12.5	1/2"	18.5	20	60	20	0.20	145	Blue Blau
PLOK - 12R	12.5	1/2"	18.5	20	60	20	0.20	145	Red Rot
PLOK - 16B	16	5/8"	24	20	60	20	0.36	200	Blue Blau
PLOK - 16R	16	5/8"	24	20	60	20	0.36	200	Red Rot

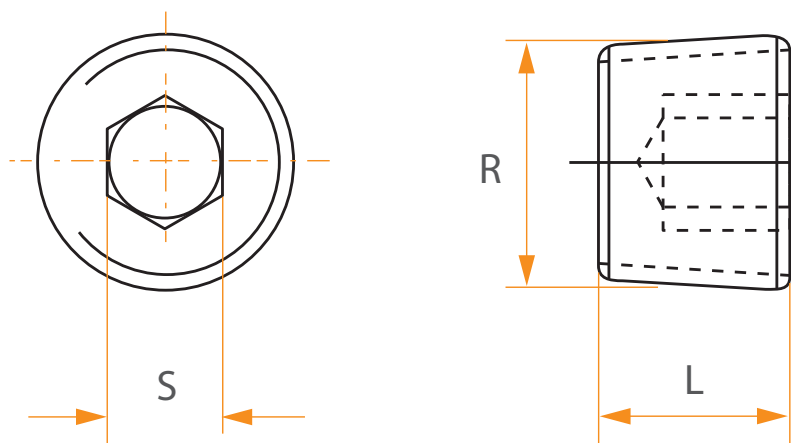
Order No / Bestellnr.	Internal Dia. Schlauch ID		Outside Dia Schlauch AD mm	Max. Working Pressure at Max. Betriebsdruck ( 20°C ) Bar	Bursting Pressure at Berstdruck ( 20°C ) Bar	Length Länge m.	Weight Gewicht kg / m	Min. bend radius Min. Biegeradius mm	Color Farbe
	mm	Inch.							
HLOK - 6B	6.3	1/4"	17	6	60	20	0.23	110	Blue Blau
HLOK - 6R	6.3	1/4"	17	6	60	20	0.23	110	Red Rot
HLOK - 10B	10	3/8"	20	6	60	20	0.27	135	Blue Blau
HLOK - 10R	10	3/8"	20	6	60	20	0.27	135	Red Rot
HLOK - 12B	13	1/2"	23	6	60	20	0.32	150	Blue Blau
HLOK - 12R	13	1/2"	23	6	60	20	0.32	150	Red Rot
HLOK - 16B	16	5/8"	28	6	60	20	0.40	210	Blue Blau
HLOK - 16R	16	5/8"	28	6	60	20	0.40	210	Red Rot

# TAPON ROSCA CONICA PREASSURE PLUG

TAP

Material	Latón
Material	Brass
Forma de pedido	Tapón TAP / R
Order form	Pressure Plug TAP / R

TAP



R	S	L
1/8 Gas	5	9
1/4 Gas	6	11
3/8 Gas	8	12
1/2 Gas	10	13
3/4 Gas	14	17
1 Gas	17	19
M.10x1	5	8

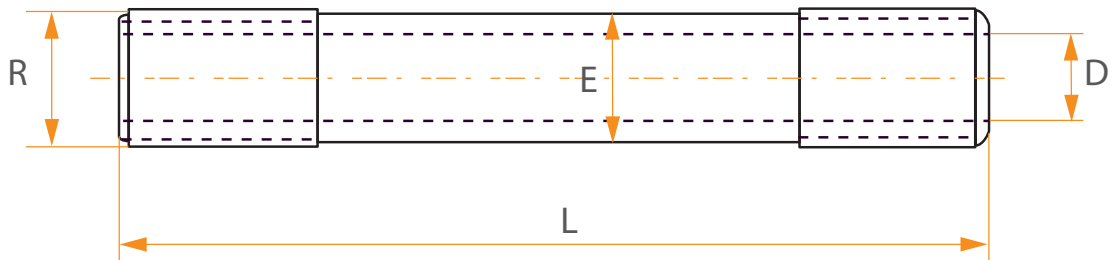


# TUB

# TUBO ROSCADO / WATER PIPE

Material	Hierro
Material	Steel
Forma de pedido	Tubo Roscado / R x L
Order form	Water Pipe / R x L

## TUB



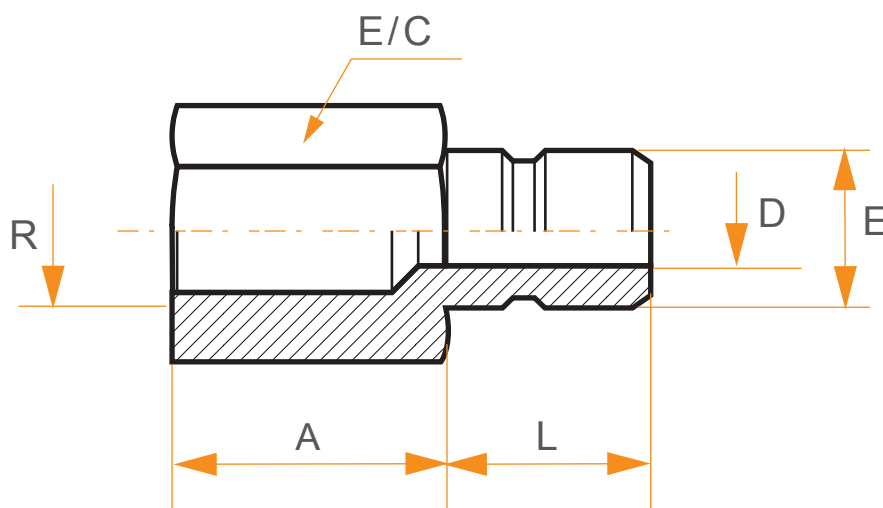
R	L												
	50	75	100	125	150	175	200	225	250	275	300	325	350
1/8 GAS													
1/4 GAS													
3/8 GAS													

# ADAPTADOR PARA ENCHUFE RAPIDO ERH QUICK CONNECTION NOZZLE ERH

ERH

Material	Latón
Material	Brass
Forma de pedido	Adaptador enchufe rapido ERH / R
Order form	Quick Connection Nozzle ERH / R

ERH



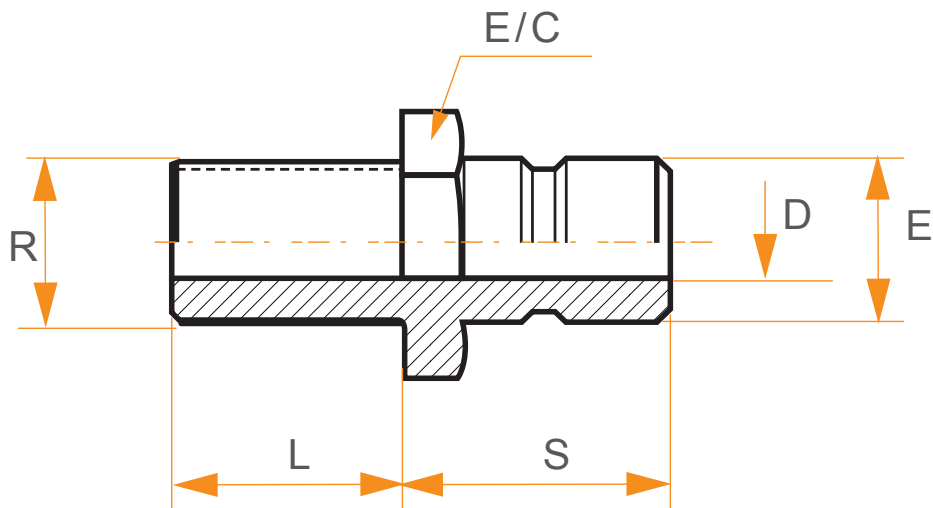
R	D	E	E/C	L	S
6-1/8" Gas	6	9	13	10	15
6-1/4" Gas	6	9	17	10	15
9-1/8" Gas	6	13	17	15	15
9-1/4" Gas	8	13	17	15	15
9-3/8" Gas	8	13	19	15	15

ERM

ADAPTADOR PARA ENCHUFE RAPIDO ERM  
QUICK CONNECTION NOZZLE ERM

Material	Latón
Material	Brass
Forma de pedido	Adaptador enchufe rapido ERM / R
Order form	Quick Connection Nozzle ERM / R

ERM



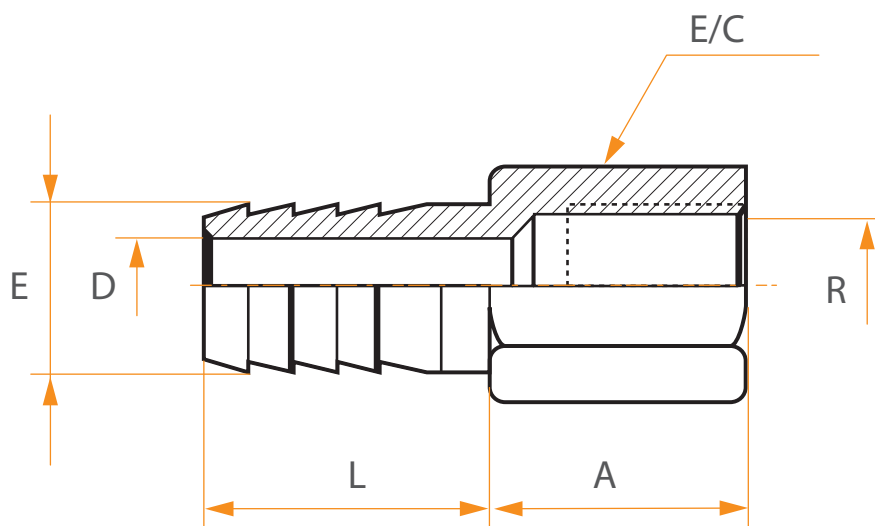
R	D	E	E/C	L	S
6-1/8" Gas	6	9	13	15	10
6-1/4" Gas	6	9	17	15	10
9-1/8" Gas	6	13	17	20	10
9-1/4" Gas	8	13	17	20	10
9-3/8" Gas	8	13	19	20	13

# BOQUILLA REFRIGERACION BRH WATER CONNECTOR BRH

BRH

Material	Hierro
Material	Steel
Forma de pedido	Boquilla Macho BRH / R
Order form	Water Connector BRH / R

BRH



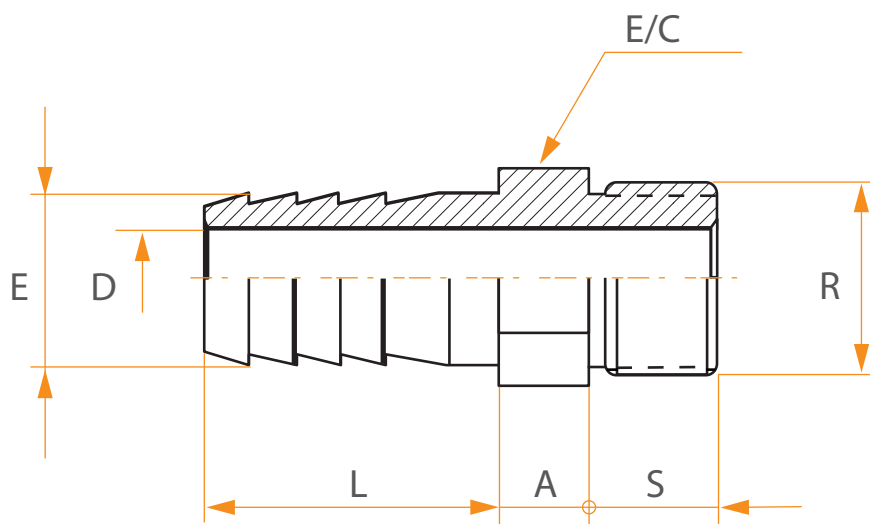
R	D	E	L	A	E/C
1/8	7	13	27	11	14
1/4	7	13	27	11	16
3/8	8	13	25	20	22

BRM

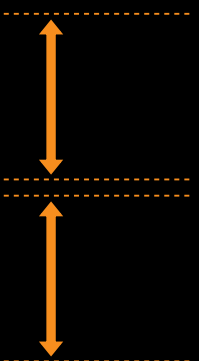
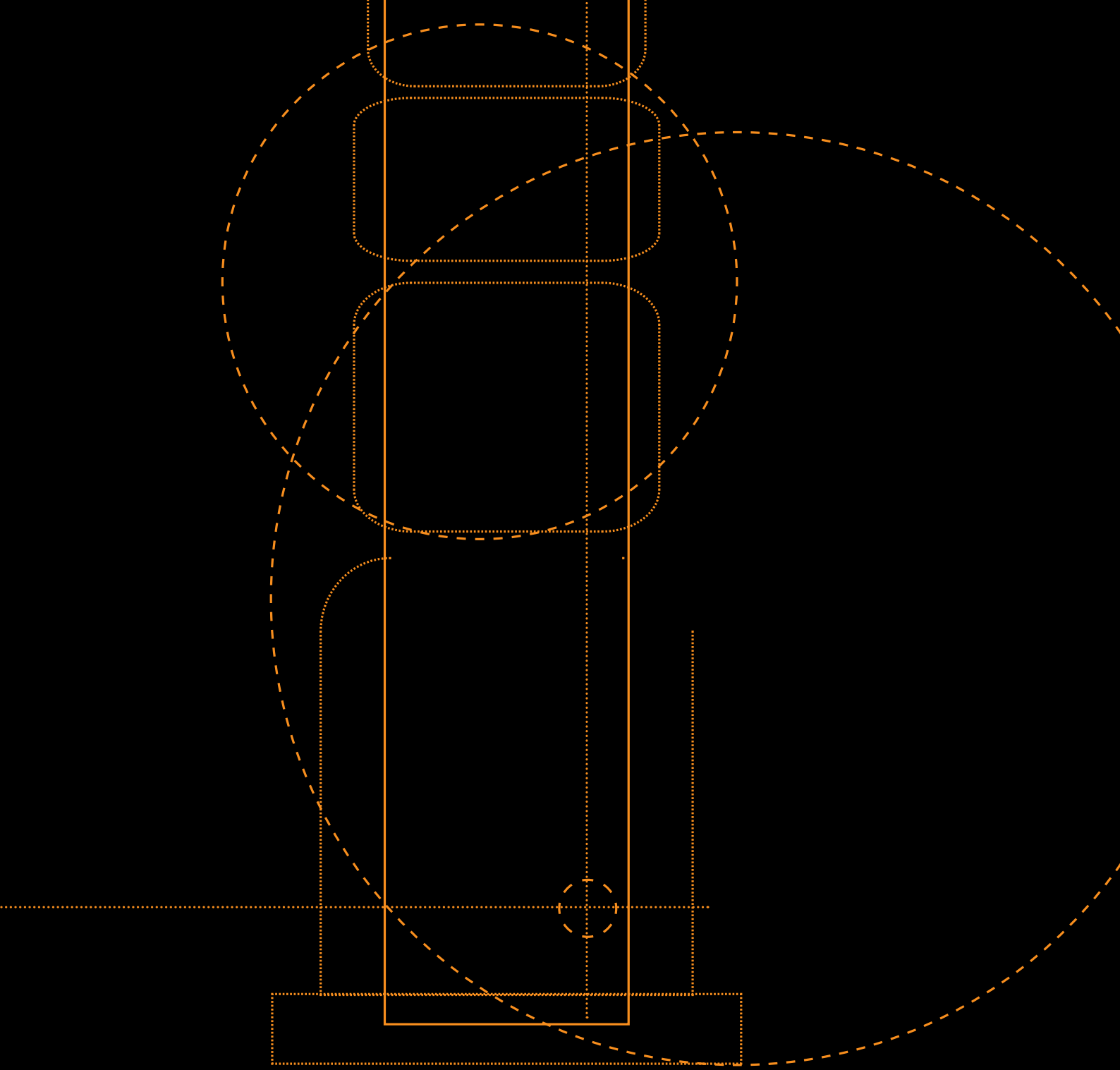
BOQUILLA REFRIGERACION BRM  
 WATER CONNECTOR BRM

Material	Hierro
Material	Steel
Forma de pedido	Boquilla Macho BRM / R
Order form	Water Connector BRM / R

BRM



R	D	E	L	S	A	E/C
1/8	6	13	27	10	10	14
1/4	7	13	27	12	9	14
3/8	8	13	28	12	10	17



Suministros Narváez S L  
C/ Albacete, 2-B  
03440 IBI - ALICANTE  
Tel. 622 433 425  
pedidos@suminar.com

